

Motan Start

**Comfort, safety and fiability
at good price**



CE 1798

PG TF 02



1015

UA.TR.012-11

made by



KÖBER

MOTAN
WALL HUNG GAS BOILERS

www.motan.ro/en

Motan Start

Power: 24kw

Average lifetime: 10 years

Bithermal

General characteristics

MOTAN START is a modern wall hung gas boiler which functions with natural gas or LPG, for heating and preparing domestic hot water.

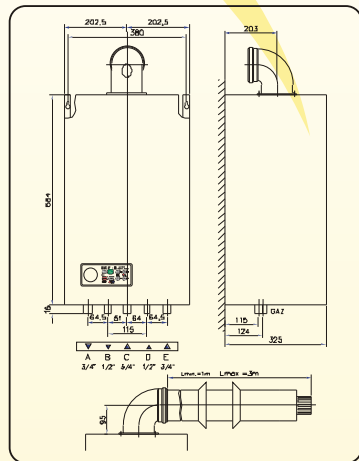
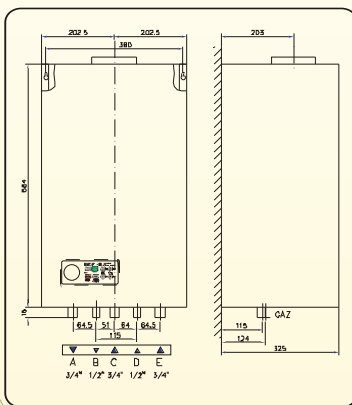
MOTAN START is available in two models:

MOTAN START C11 SPV 24 MEF

- ideal for block of flats and other dwellings without gas-exhaust chimneys
- forced draft
- bithermal
- nominal power: 24 kw
- nominal power efficiency 93%

MOTAN START C11 SPV 24 ME

- for houses or dwellings with gas-released chimneys
- natural draft
- bithermal
- nominal power: 24 kw
- nominal power efficiency 93%



Type	C11 SPV 24ME	C11 SPV 24MEF
Power efficiency symbol	***	***
Category	I12H3B/P	I12H3B/P
Draft	Natural	Forced
Combustion chamber	Open	Air-tight
Nominal output efficiency		
-natural gases*	93,3%	93,3%
Nox class LPG*	93,1%	93,1%
-natural gases*	4	4
-LPG*	1	3
Nominal power	24 kw	24 kw
Minimum power	10,2kW	10,2kW
Burner nominal load	25,28 kw	25,28 kw
Gas pressure		
NG on coupling (after reducer)	20 mbar	20 mbar
NG at admitted maximum input	35 mbar	35 mbar
GPL	30 - 37 mbar	30 - 37 mbar
Electrical features	230V/50Hz	230V/50Hz
	90W	130W
Weight	37 kg	39 kg
Heat exchanger capacity	11	11
NG nominal max.consumption	2,64 Nm ³ /h	2,64 Nm ³ /h
GPL nominal max.consumption	2,00Kg/h	2,00Kg/h
Central heating		
Heat carrier output	0,8 m ³ /h	0,8 m ³ /h
Admitted minimum and maximum pressure	0,5 and 3 bar	0,5 and 3 bar
The temperature on the heating circuit	30-80 0C	30-80 0C
Connectors		
input-output central heating	3/4"	3/4"
DHW Input-output	1/2"	1/2"
Gas supply	3/4"	3/4"
Dimensions		
Length (mm)	684	684
Width (mm)	416	416
Depth (mm)	325	325
With fitted elbow (mm)	-	850
Expansion vessel with membrane	7l	7l
DHW preparator		
DHW temperature	30°- 60°C	30°- 60°C
Flow values		
ΔT=25°C	13,8 l/min	13,8 l/min
ΔT=35°C	9,8 l/min	9,8 l/min
ΔT=45°C	7,7 l/min	7,7 l/min
Pressure	0,2 - 8 bar	0,2 - 8 bar
Exhaust gases (temperature)	130°C 150°C	130°C 150°C
Necessary negative pressure for chimney	0,015 hPa	0,015 hPa
Boiler gas pipe (inlet-outlet)	Ø125	Ø100/Ø60
Exhaust gases pipe length	shorter +chimney	3 m
		Maximum
Guiding values		
Water content in installation	150 l	150 l
Maximum enclosure surface	200 sqm	200 sqm

Safety systems :

- Overpressure safety valve protects the gas boiler at a pressure higher than 3 bars
- Water temperature sensors on the heating and domestic hot water circuits.
- Air pressure switch (forced draught version) which detects a possible draught deficiency and sends this information to the electronic board.
- Safety thermostat protects the heat exchanger from reaching high temperatures.
- Electronical board which receives information and controls the execution elements
- Performant self-diagnostic system
- Anti freeze protection fuction
- Chalk deposits prevention system
- Antiblocking pump system acting at every 24h

Wall hung gas boiler MOTAN integrate import components of the best quality:

- Grundfos circulation pump (Danmark) / Wilo (France);
- Heat exchanger Fugas / Valmex (Italy);
- Gas valve Honeywell (Holland);
- Air pressostat Honeywell (Olanda);
- Burner Worgas (Italy);
- Expansion vessel (Italy);
- Electric fan Fime / Erco / EBMPAPST
- Safety valve Pintossi + C (Italy);
- Electronical board Brahma (Italy);



The Quality Management System implemented within our company assures and is certified according to the ISO 9001:2008 standard by the Certification German Organizations GERMANISCHER LLOYD CERTIFICATION, TÜV SÜDDEUTSCHLAND

KÖBER Ltd. Dumbrava Roşie, VADURI Branch; Office: Vaduri no 280, Alexandru cel Bun Commune, Neamţ district; postal code 617511, ROMANIA; phone: +40 233 241746; 241746; 241933; 241945; Fax: +40 233 241929; E-mail: office.vaduri@kober.ro; www.motan.ro